

PRODUKT DATENBLATT

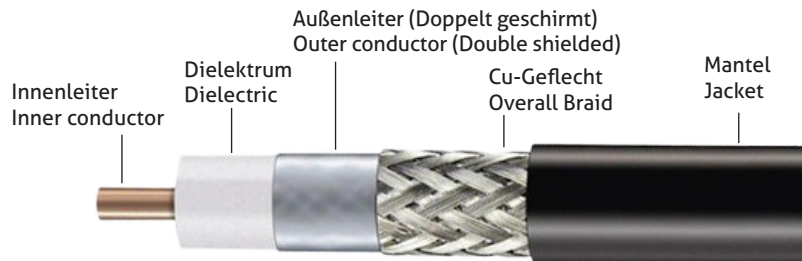
FLEXIBLE LOW LOSS CABLE

elspec Artikelnummer: 15767

elspec Beschreibung: TM6G04

MIL-DTL-17 Nr. (falls vorhanden):

Kategorie: Low Loss



ABMESSUNGEN | MEASUREMENTS | MATERIALS

| BEZEICHNUNG DESCRIPTION | MATERIAL |
|-------------------------------------|-----------------------|
| Innenleiter Inner conductor | Solid BC |
| Dielektrum Dielectric | Foam PE |
| Außenleiter Outer conductor | Aluminum Tape |
| Cu-Geflecht Shield, overall Braid | Tinned Copper |
| Mantel Jacket | TPE, Indoor / Outdoor |

MECHANISCHE EIGENSCHAFTEN | MECHANICAL CHARACTERISTICS

| BEZEICHNUNG DESCRIPTION | WERT |
|--------------------------------------|-----------------------------------|
| Diameter | 6.0 mm |
| Temperaturbereich/ Temperature range | -40°C to 85°C |
| Biegeradius Bend radius | 65 (mm) wiederholbar / repeatable |
| Zugbelastung/ Tensile strength | 36,3 (kg) |
| Weight | 0.05 (kg/m) |
| Flat Plate Crush | 0.36 (kg/mm) |
| Storage Temperature | -70°C to 85°C |

ELEKTRISCHE EIGENSCHAFTEN | ELECTRICAL CHARACTERISTICS

| BEZEICHNUNG DESCRIPTION | | WERT |
|---|--------------|---------------|
| Impedanz Impedance | Ω | 50 +/- 2 |
| Frequenz Maximum Frequency | GHz | 8.0 |
| Ausbreitungsgeschw. Velocity of Propagation | % | 83 |
| Kapazität Capacitance | pF/ft (pF/m) | 79.4 |
| Spannungsbeständigkeit Voltage Withstand | Volts DC | 1500 |
| Jacket Spark | Volts RMS | 5000 |
| Schirmungsmaß Shielding | dB | >90dB minimum |
| ATTENUATION | DB/FT | DB/M |
| 900 MHz | 0.07 | (0.25) |
| 2.5 GHz | 0.13 | (0.43) |
| 5.8 GHz | 0.20 | (0.67) |

PRODUKT DATENBLATT

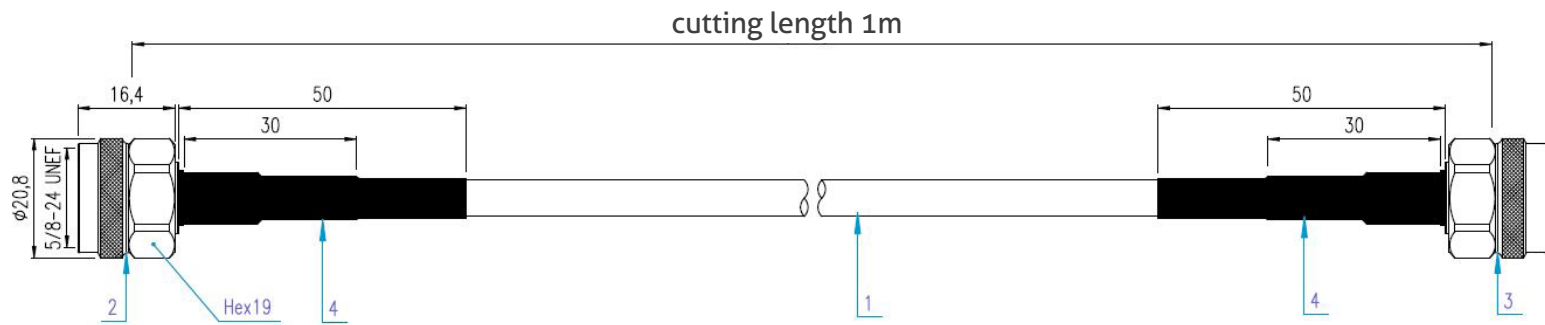
FLEXIBLE LOW LOSS CABLE ASSEMBLY

elspec Artikelnummer: 21195

elspec Beschreibung: TM6G04

MIL-DTL-17 Nr. (falls vorhanden):

Kategorie: Low Loss



PART LIST

| BEZEICHNUNG DESCRIPTION | MATERIAL |
|---------------------------|------------------------|
| No.1 Cable | TM6G04 |
| No.2 Connector | N straight plug (male) |
| No.3 Connector | N straight plug (male) |
| No.4 Protective sleeve | elspec standard |

ASSEMBLY CHARACTERISTICS

| BEZEICHNUNG DESCRIPTION | MATERIAL |
|---------------------------|--|
| Operating frequency | DC - 6GHz |
| Typ. Insertion Loss | 0,85dB |
| Min. Return Loss | -18dB DC to 5.8GHz (1 peak – 10dB at 4.0 to 4.2GHz) |
| Test report | Batch report |

NOTES